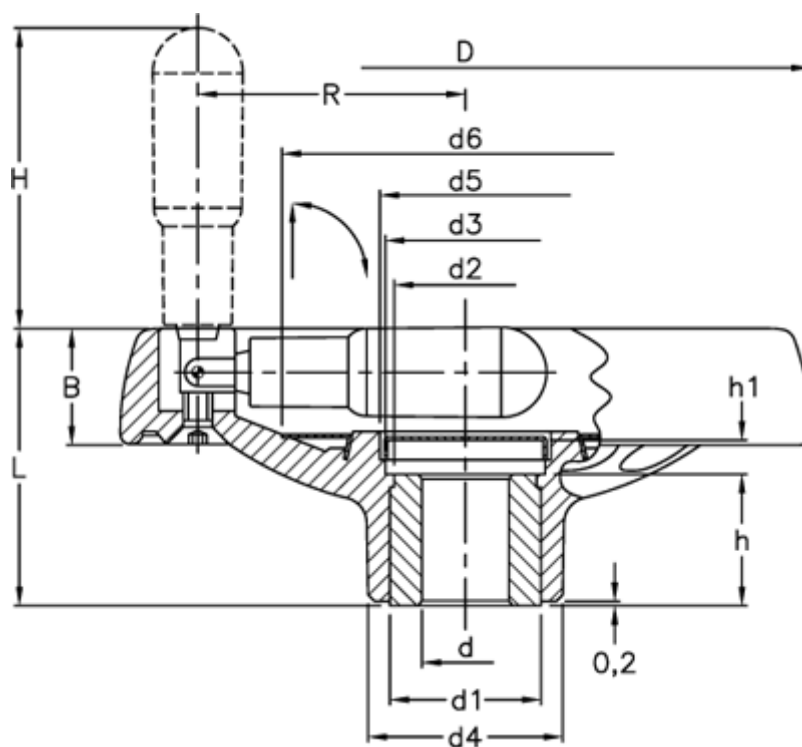


Article number: 2301170727
 Description: E+G Handwheel
 VDT.160+IR A-14

Measures



B	= 27	d6	= 90
C (N m)	= 400	d H7	= 14
D	= 160	H	= 80
d1	= 35	h	= 28
d2	= 33	h1	= 11.0
d3	= 38	L	= 64
d4	= 46	L (J)	= 25
d5	= 40	R	= 62